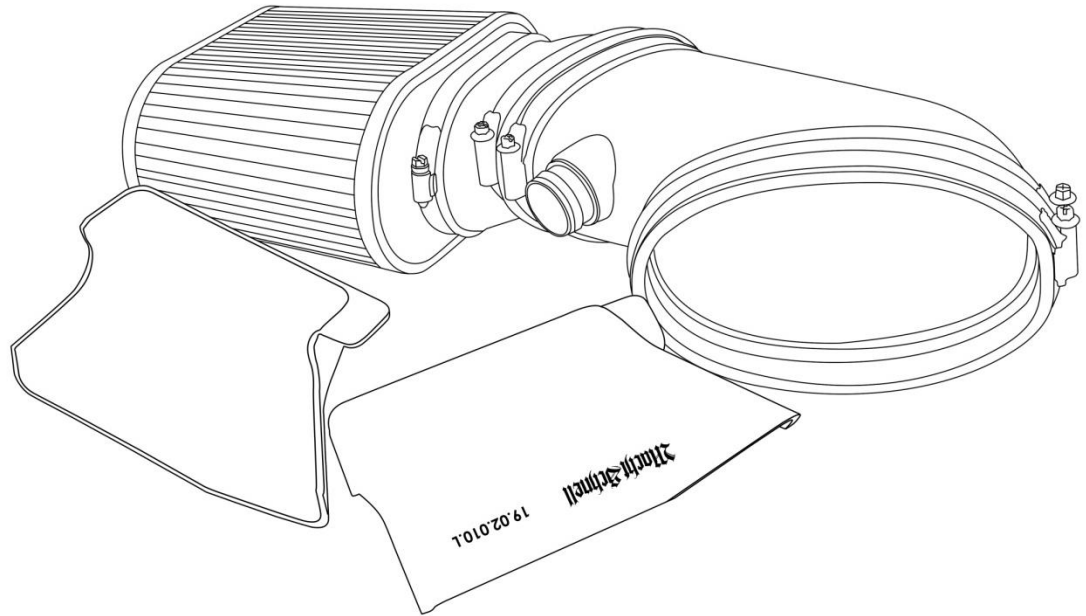


e9x M3 Stage 2 Intake Charge Kit

Part #: 19.92.014

Models Supported:
2008+ e9x M3

Please read before installing!



Package Includes:

- (1) High performance air filter
- (2) Intake charge scoops
- (1) Intake charge pipe
- (1) Filter adapter (for all EU M3 and MY10+ US models)
- (2) Heavy duty rubber intake couplers
- (5) European style worm clamps

Instructions:

1. Remove the air box lid by unscrewing the 7 T20 Torx screws. (Fig. A)
2. Remove the air filter. (Fig. B)
3. Twist and pull to remove PCV hose from intake elbow. (Fig. C)
4. Remove intake elbow. (Fig. D)

For 2008-2009 US vehicles, skip to step 8. For 2010+ vehicles, continue with step 5.

5. Unbolt the two 10mm bolts holding the air box. Remove the air box. (Fig. E)
6. Push in the air box pin and release the retaining tab on the back of the pin to remove. (Fig. F & G)
7. Install Macht Schnell air box pin simply by pushing it in. Reinstall air box. (Fig. H)
8. Loosely assemble Macht Schnell intake assembly and move into position. (Fig. I)
9. Once fitted into position, tighten all hose clamps. (Fig. J)
10. Reconnect PVC hose. (Fig. K)
11. Reinstall air box cover. (Fig. L)
12. Remove lower intake snorkel assembly (Fig. M)
13. Drill 5mm hole through scoop into shroud and fasten using supplied bolt, washer and nut. (Fig. N)
14. Align and drill a 7mm hole into the scoop's tab. (Fig. O)
15. Fasten scoop by installing snorkel assembly and inserting the OEM push pin through the 7mm hole.

MachtSchnell speed through

Fig. A

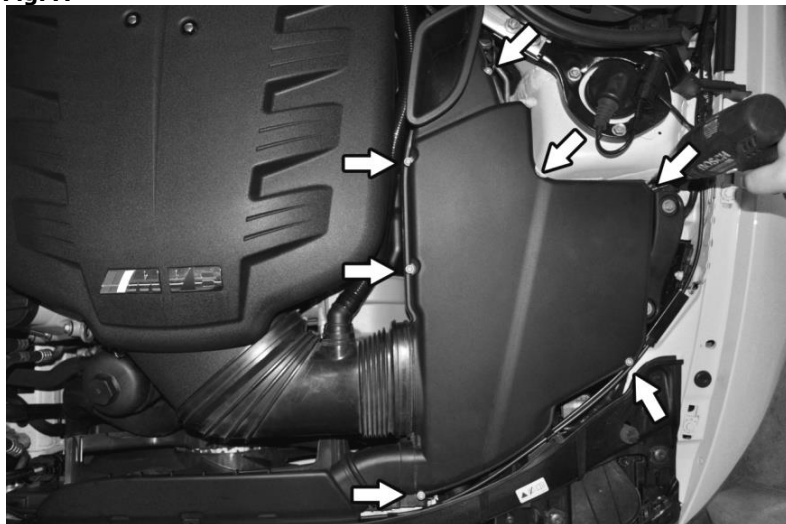


Fig. B



Fig. C



Fig. D

MachtSchnell speed through



Fig. E

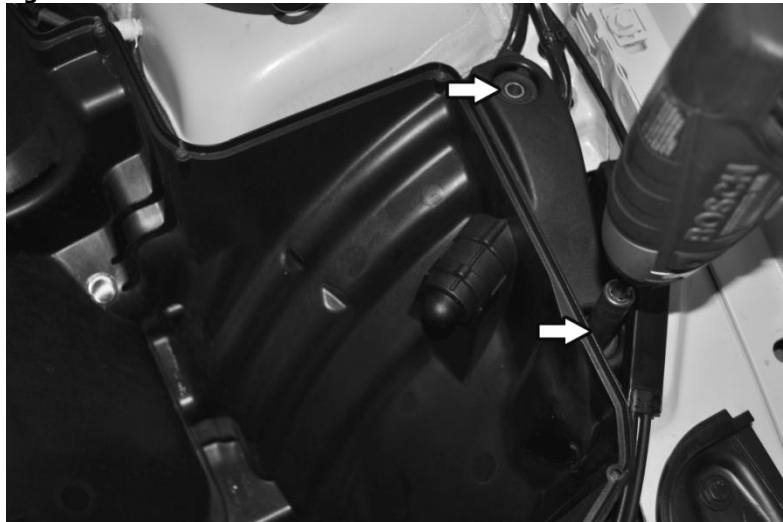


Fig. F



Fig. G

MachtSchnell speed through



Fig. H



Fig. I



Fig. J

MachtSchnell speed through



Fig. K



Fig. L



MachtSchnell speed through

Fig. M



Fig. N

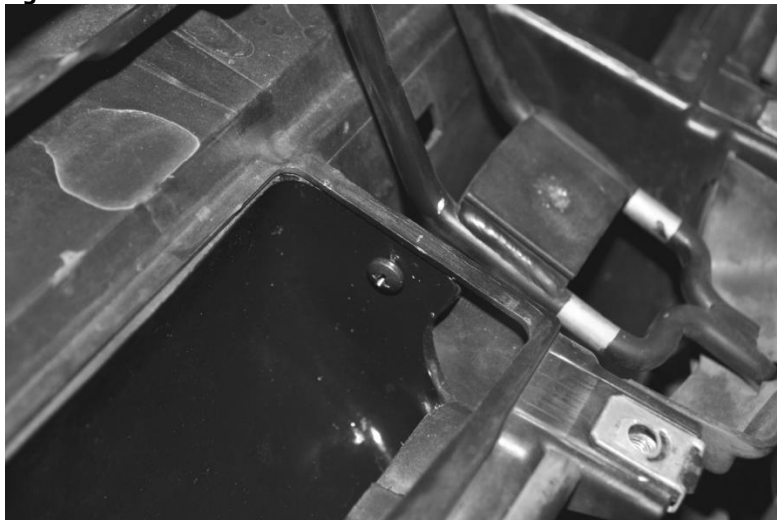


Fig. O

